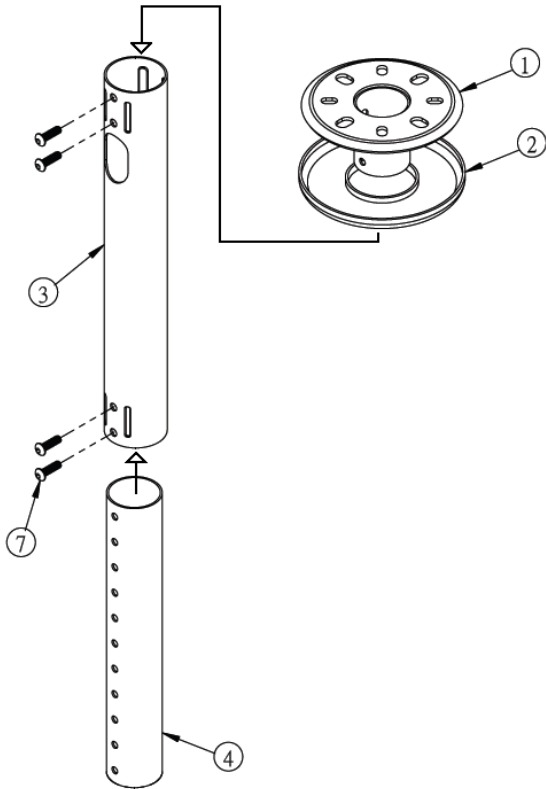
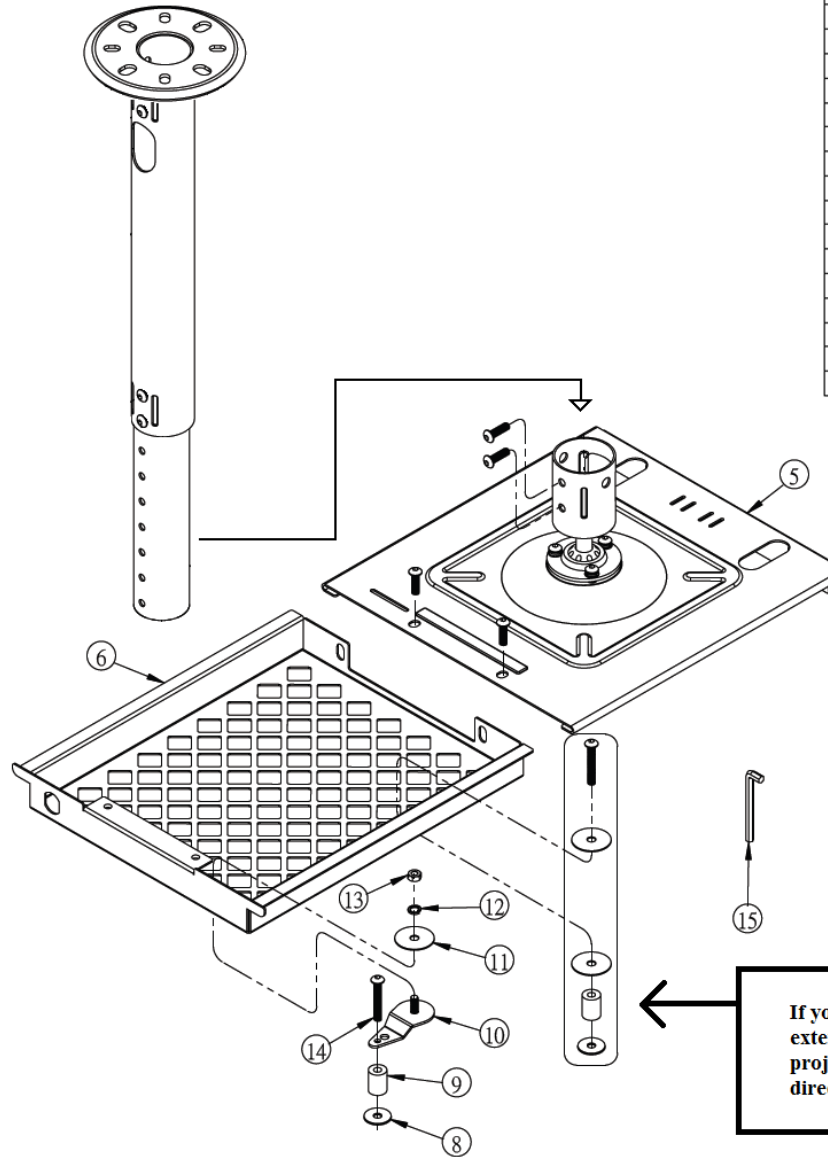


STEP 1



STEP 2



Item	Spare parts	Qty
1	Wall plate	1
2	Plastic cover	1
3	Extension tube L=350mm	2
4	Extension tube L=275mm	2
5	Top projector plate	1
6	Bottom projector plate	1
7	Screw 1/4" - 20unc*L20mm (Burglar-proof)	12
8	Plastic washer $\varnothing 6.5 * \varnothing 5/8"$	8
9	Aluminium pipe $\varnothing 3/8" * \varnothing 6 * L20mm$	4
10	Extension fixer	4
11	Washer $\varnothing 1/4" * \varnothing 32$	8
12	Spring washer $\varnothing 1/4"$	4
13	Nut 1/4"-20unc	4
14-1	Screw M3*L38mm	4
14-2	Screw M4*L35mm	4
14-3	Screw M5*L35mm	4
14-4	Screw M6*L35mm	4
15	Allen wrench No.4 (Burglar-proof)	1

If you don't need to use the extension fixer, you can fix the projector on the bottom plate direct.